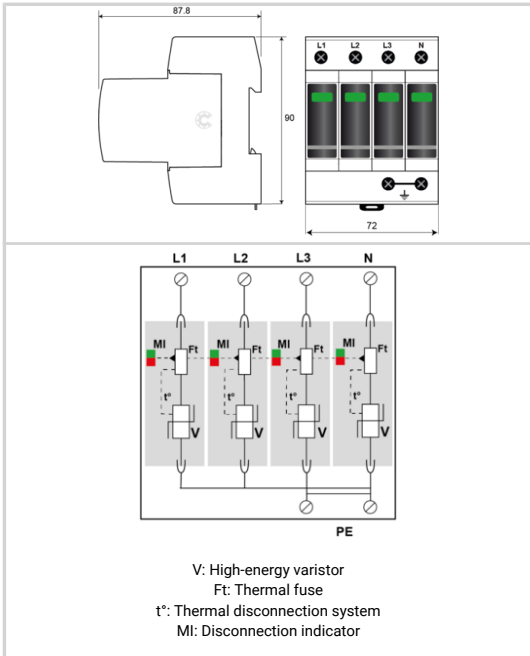


DAC1-13-40-440



- Type 1 + 2 AC multipolar surge protector
- In : 20 kA
- Iimp: 12.5 kA
- Pluggable module for each phase
- Remote signaling (option)
- EN 61643-11, IEC 61643-11 and UL1449 ed.5 compliance



Electrical Characteristics	
SPD type	1+2
Network	230/400 V 3-phase+N
AC system	IT
Max. AC operating voltage	Uc 440 Vac
Temporary Over Voltage (TOV) Characteristics - 5 sec. Without disconnection	UT 580 Vac withstand
Temporary Over Voltage (TOV) Characteristics - 120 mn Without disconnection or with safety disconnection	UT 770 Vac disconnection
Residual Current Leakage current to Ground	Ipe < 1 mA
Follow current	If None
Nominal discharge current 15 x 8/20 μs impulses	In 20 kA
Max. discharge current max. withstand @ 8/20 μs by pole	Imax 50 kA
Total Maximum discharge current max. total withstand @ 8/20 μs	I _{max} Total 200 kA
Impulse current by pole max. withstand 10/350μs by pole	Iimp 12.5 kA
Total lightning current max. total withstand @ 10/350μs	I _{total} 50 kA
Specific energy by pole max. withstand 10/350 μs	W/R 40 kJ/ohm
Protection mode(s)	L/PE and N/PE
Protection level N/PE @ In (8/20μs)	Up N/PE 1.7 kV
Protection level L/PE @ In (8/20μs)	Up L/PE 1.7 kV
Protection level N/PE at 5 kA @ 5 kA (8/20μs)	Up-5kA 1.5 kV
Residual voltage L/PE at 5 kA @ 5 kA (8/20μs)	Up-5kA 1.5 kV
Admissible short-circuit current	I _{sc} 50 000 A
Mechanical Characteristics	
Technology	VG Technology (MOV+GSG)
SPD configuration	3-phase+Neutral
Connection to Network	By screw terminals: 2.5-25mm ² (35mm ² rigid)
Format	Plug-in modular box
Pluggable	Yes
Mounting	Symmetrical rail 35 mm (EN 60715)
Housing material	Thermoplastic UL94 V-0
Operating temperature	Tu -40/+85°C
Protection rating	IP20
Failsafe mode	Disconnection from AC network
Disconnection indicator	1 mechanical indicator by pole - Red/Green
Spare module(s)	MDAC1-13-440
Remote signaling of disconnection	option DAC1-13S-40-440 : output on changeover contact
Dimensions	See diagram - 4TE (EN43880)
Weight	0.652 kg
Disconnectors	
Thermal disconnector	Internal
Installation ground fault breaker	Type 'S' or delayed
Fuses	Fuse assembly: SFD1-13S-40 /or 125 A min. - 315 A max. - Fuses Type gG
Standards	
Standards compliance	IEC 61643-11 / EN 61643-11 / UL1449 ed.5
Certification	EAC
Part number	
821710414	