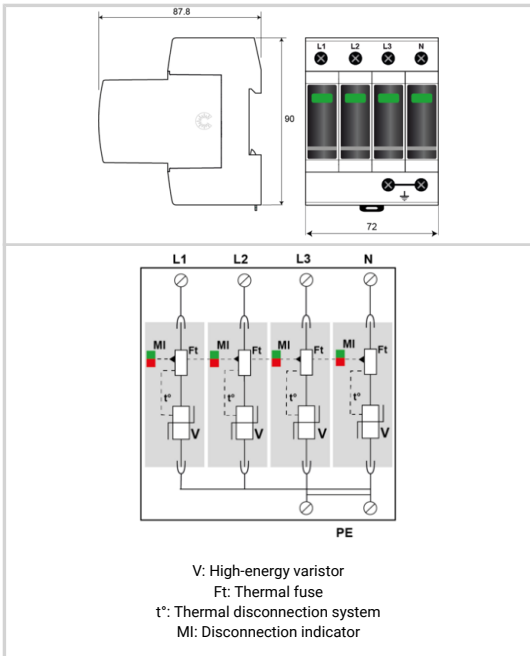


# DAC1-13-40-275



- Type 1 + 2 AC multipolar surge protector
- In: 20 kA
- Iimp: 12.5 kA
- Pluggable module for each phase
- Remote signaling (option)
- EN 61643-11, IEC 61643-11 certified
- UL1449 ed.5 compliance



### Electrical Characteristics

SPD type		1+2
Network		230/400 V 3-phase+N
AC system		TNS
Max. AC operating voltage	Uc	275 Vac
Temporary Over Voltage (TOV) Characteristics - 5 sec. Without disconnection	UT	580 Vac withstand
Temporary Over Voltage (TOV) Characteristics - 120 mn Without disconnection or with safety disconnection	UT	440 Vac disconnection
Residual Current Leakage current to Ground	Ipe	< 1 mA
Follow current	If	None
Nominal discharge current 15 x 8/20 μs impulses	In	20 kA
Max. discharge current max. withstand @ 8/20 μs by pole	I <sub>max</sub>	50 kA
Total Maximum discharge current max. total withstand @ 8/20 μs	I <sub>max</sub> Total	200 kA
Impulse current by pole max. withstand 10/350μs by pole	I <sub>imp</sub>	12.5 kA
Total lightning current max. total withstand @ 10/350μs	I <sub>total</sub>	50 kA
Specific energy by pole max. withstand 10/350 μs	W/R	40 kJ/ohm
Protection mode(s)		L/PE and N/PE
Protection level L/PE @ In (8/20μs)	Up L/PE	1.3 kV
Protection level N/PE at 5 kA @ 5 kA (8/20μs)	Up-5kA	1 kV
Residual voltage L/PE at 5 kA @ 5 kA (8/20μs)	Up-5kA	1 kV
Admissible short-circuit current	I <sub>sc</sub>	50 000 A

### Mechanical Characteristics

Technology		VG Technology (MOV+GSG)
SPD configuration		3-phase+Neutral
Connection to Network		By screw terminals: 2.5-25mm <sup>2</sup> (35mm <sup>2</sup> rigid)
Format		Plug-in modular box
Pluggable		Yes
Mounting		Symmetrical rail 35 mm (EN 60715)
Housing material		Thermoplastic UL94 V-0
Operating temperature	Tu	-40/+85°C
Protection rating		IP20
Failsafe mode		Disconnection from AC network
Disconnection indicator		1 mechanical indicator by pole - Red/Green
Spare module(s)		MDAC1-13-275
Remote signaling of disconnection		option DAC1-13S-40-275: output on changeover contact
Dimensions		See diagram - 4TE (EN43880)
Weight		0.667 kg

### Disconnectors

Thermal disconnector		Internal
Installation ground fault breaker		Type 'S' or delayed
Fuses		Fuse assembly: SFD1-13S-40 /or 125 A min. - 315 A max. - Fuses Type gG

### Standards

Standards compliance		IEC 61643-11 / EN 61643-11 / UL1449 ed.5
Certification		KEMA / EAC

### Part number

Part number		821710214
-------------	--	-----------